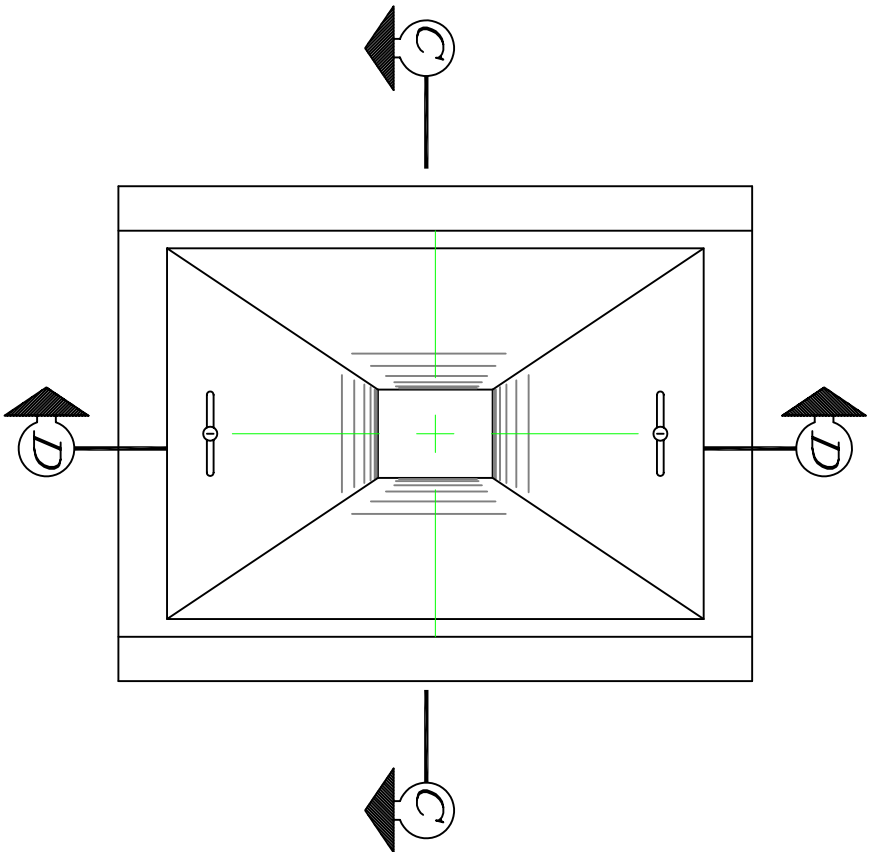
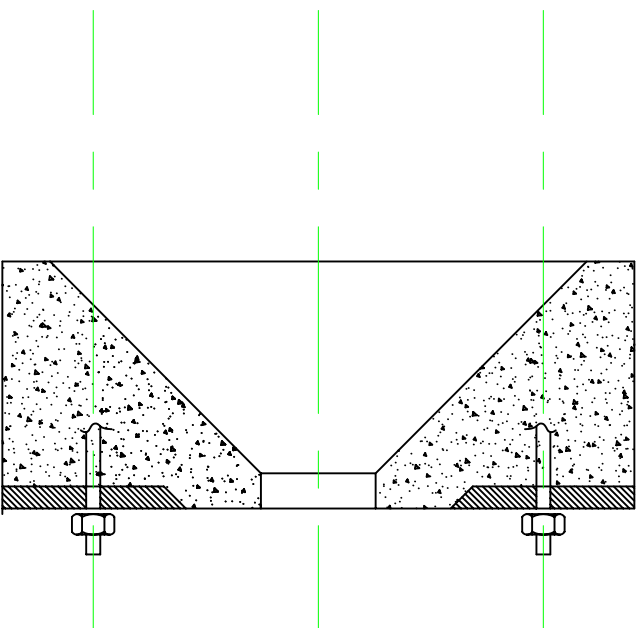


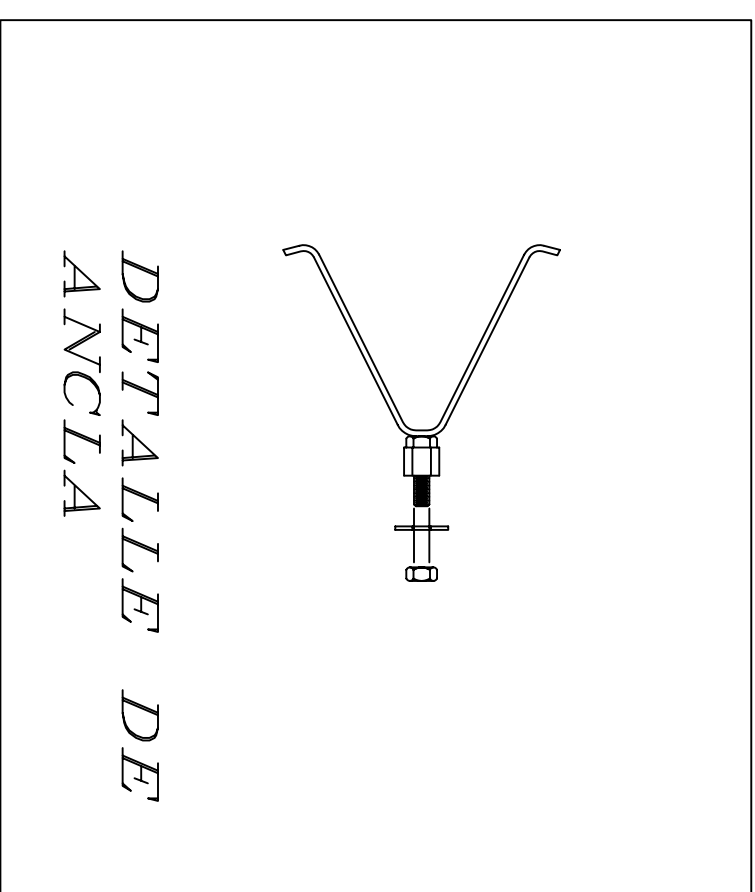
SECCION C-C



DETALLE DE MIRILLA Y SU HERRAJE  
 PEEP SIGHTS DETAIL AND HARDWARE



SECCION D-D



MIRILLA DE FORMADO AL VACIO

REV.	DATE	REASON FOR CHANGE	BY	APP'D	P.C.R.


  
**NUTEC**  
**FIBRATEC**

Blvd. Industrias No. 1800  
 Ramiro Aráez, Coahuila, México

All information contained in this drawing is of a proprietary nature and shall remain confidential without the permission of NUTEC FIBRATEC.

DRAWING OF		MATERIAL / SPECIFICATION	
QTY:		DATE:	
QUANTILIAN		NEXT ASK:	
CHK:		FINAL ASK:	
TITLE:	MIRILLA DE FORMADO AL VACIO		
SCALE:	NONE	DWG'N:	
FILE:			